

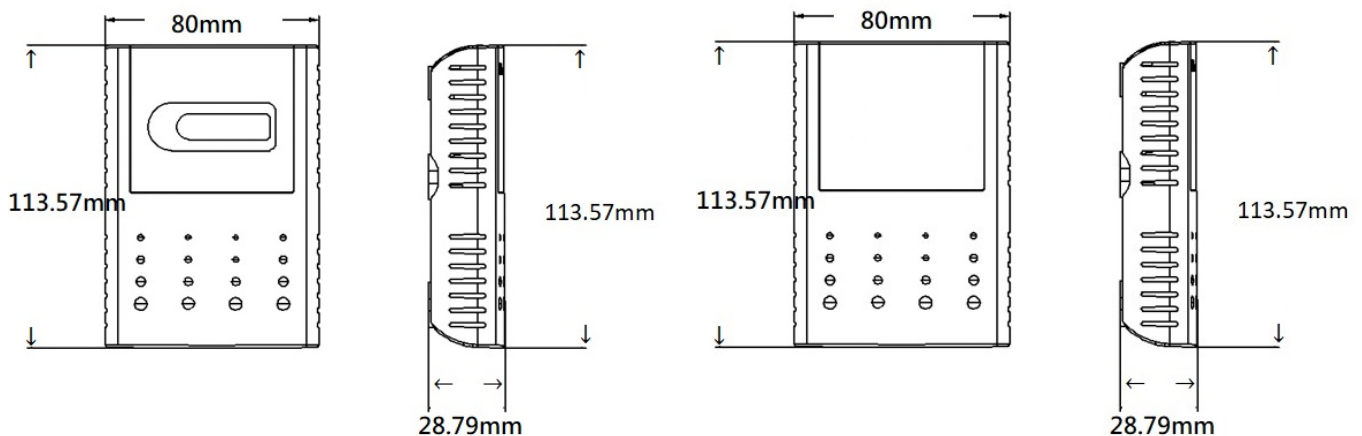
■ Features

To define indoor air quality, it is important to monitor the concentration of several different gases or hazardous substance in air. VOCs are emitted as gases from certain solids or liquids, such as building materials and furnishings, office equipment, wood preservatives, cleansers and disinfectants, dry-cleaned clothing or stored fuels and automotive products, etc.

AVC-910 series air quality transmitter can measure the concentration of TVOC, and also can send signal to monitoring center to control air purifying or ventilation system, depending on measurement result. This would be an efficient solution to ensure indoor air quality. Perfect applications are home, office, indoor parking, library, hospital, shopping mall and etc.



■ Dimensions



■ Specifications

Model	AVC-910
Gas type	TVOC
Sensing element	MEMS metal oxide
Response time	5 min. by 90%
Resolution	1 ppb
Measurement range	125 ~ 600 ppb
Coverage area	About 100m ² ⁽¹⁾⁽⁴⁾
Signal output	RS-485 (Modbus RTU); LoRa (Peer to Peer), radio frequency band: 862 ~ 932 MHz ⁽²⁾
Calibration interval(Recommended)	12 months
Sensor lifespan	2 years ⁽³⁾
Pressure range	1 atm ± 10%
Environmental	-10 ~ +50°C (14 ~ 122°F) / 0~95%RH (Non-condensing)
Storage Temp.	-10 ~ +50°C (14 ~ 122°F)
Warmup time	About 5 min.
Power supply	DC 12V ~ 36, AC 24V (50/60Hz)
Power consumption	RS485: 0.3W (Max.); LoRa / RS485: 1.4W (Max.)
Case material	Fireproof ABS
IP rating	IP30 (No protection from liquids)
Certifications	CE and FCC

Note:

- (1) The coverage area should be considered individually to account for the particular layout and any varying or enclosed spaces. It is recommended to install at least one device in each room.
- (2) The frequency channels will be differed by country and this frequency can be configured accordingly from 862 to 932Hz.
- (3) The lifespan of sensor might vary depending on environmental conditions. For example, high ambient temperature will shorten its lifespan.
- (4) Easy installation and the recommended height of installation is 1~2M above the floor level.

■ Ordering information

AVC-910□□□-M

Code 1	Installation	Code 2	Output	Code 3	Display
W	Wall-mount	4	RS485	X	No
		6	LoRa / RS485	D	Yes

*For details, please refer to specifications.